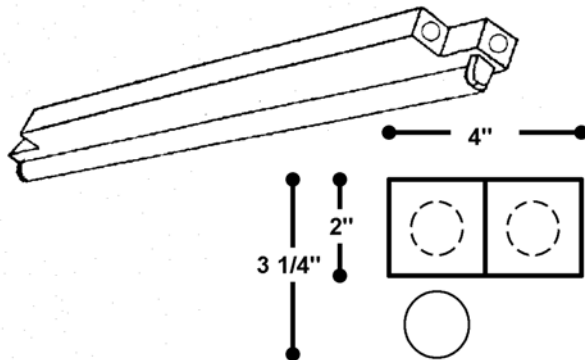


# STAGGER STRIP - FLUORESCENT

ONE LAMP 3" OFFSET T8 ELECTRONIC

**SERIES 207**

MEETS NYC REQUIREMENTS



PROJECT:
FIXTURE TYPE:
CATALOG NO.:
VOLTS:
BALLAST TYPE:
DATE:

**APPLICATIONS:** The main feature of stagger lamp strips is the overlapping of lamps when installed in continuous rows. The result is a uniform illumination on vertical and adjacent surfaces eliminating the "scallop" effect created by shadows when lamps are mounted end to end in continuous rows. Ideal for cove lighting, retail areas, and corridors.

## SPECIFICATIONS

**CONSTRUCTION:** The housing and ends are die formed of 20 GA cold rolled steel (CRS), rigidly fabricated and electrically welded to insure true and perfect alignment.

**BALLAST:** 17w, 25w, 32w, or 40 watt fully electronic T8, parallel instant start, high power factor, Class "A" sound rated, UL listed for 120 V 60 Hz operation are standard. Ballasts <10% THD along with other voltages and frequencies are also available. (CONSULT FACTORY).

**MOUNTING:** Installed flush with ceiling surface or in coves and cabinets, individually or in continuous rows. For continuous mounting, end knock outs may be removed and units joined together. Adequate knockouts and holes are provided for mounting and feeds.

**FINISH:** All steel components parts are corrosion protected and coated baked white synthetic polyester for maximum durability.

**CERTIFICATION:** U.L. listed and I.B.E.W. Union made.

## ORDERING INFORMATION

CATALOG #	LAMP	BALLAST	LENGTH
207117T8	1-F17W-T8	T8 ELECTRONIC	24"
207125T8	1-F25W-T8	T8 ELECTRONIC	36"
207132T8	1-F32W-T8	T8 ELECTRONIC	48"
207140T8	1-F40W-T8	T8 ELECTRONIC	60"
207125T8T	2-F25W-T8	T8 ELECTRONIC	72"
207132T8T	2-F32W-T8	T8 ELECTRONIC	96"

**OPTIONAL:** Emergency battery backup (add suffix "EML")  
Electronic dimming ballast (add suffix "DIM")