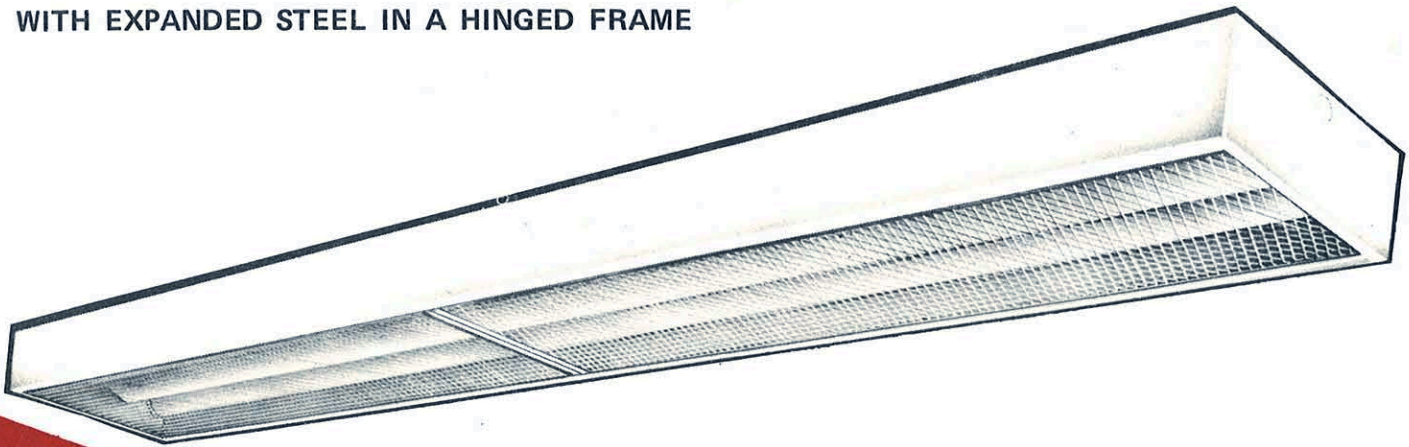


Tennis Court Lights

WITH EXPANDED STEEL IN A HINGED FRAME

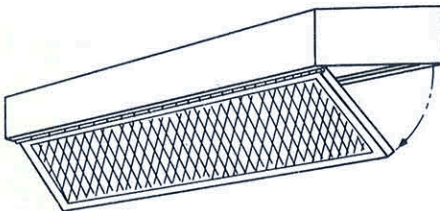


911

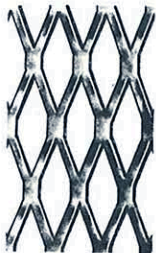
SERIES

C R O W N L I T E

END VIEW



EXPANDED METAL WIRE GUARD WELDED TO A HINGED FRAME



Designed to combine the best features of direct and indirect lighting for indoor tennis courts and gymnasiums.

SPECIFICATIONS

Construction: Housing constructed of heavy gauge cold rolled steel die formed for uniformity and accuracy and spot welded for structural rigidity.

Finish: All metal parts are finished in baked white enamel having a minimum reflectance factor of 86%.

Diffuser: Standard diffuser is virgin acrylic prismatic hi impact acrylic and unbreakable polycarbonate lenses are available at additional cost.

Wiring: Completely wired with class "P" UL listed ballasts and lampholders ready for 118 volt installation. Other voltage and other special ballasts are available at additional cost.

CATALOGING

Catalog Number	Lamps Watts	Ballast Type	Nominal Size Ft.	Ship Wt. Lbs. Ea.
911-28-496	4-75W	HPRS 425MA	8	68
911-28-696	6-75W	HPRS 425MA	8	76
911-28-496-800MA	4-110W	HPRS 800MA	8	78
911-28-696-800MA	6-110W	HPRS 800MA	8	96
911-28-496-1500MA	4-215W	VHPRS 1500MA	8	78

UL LISTED - UNION MADE A.F. of L.

I.B.E.W. -

BY **CROWNLITE**

CROWNLITE FLUORESCENT CORP.
1546 OCEAN AVENUE, BOHEMIA, NEW YORK 11716

Copyright 1978 by Crownlite Fluorescent Corp.

Dimensions subject to change. Consult factory for verification or request sample.