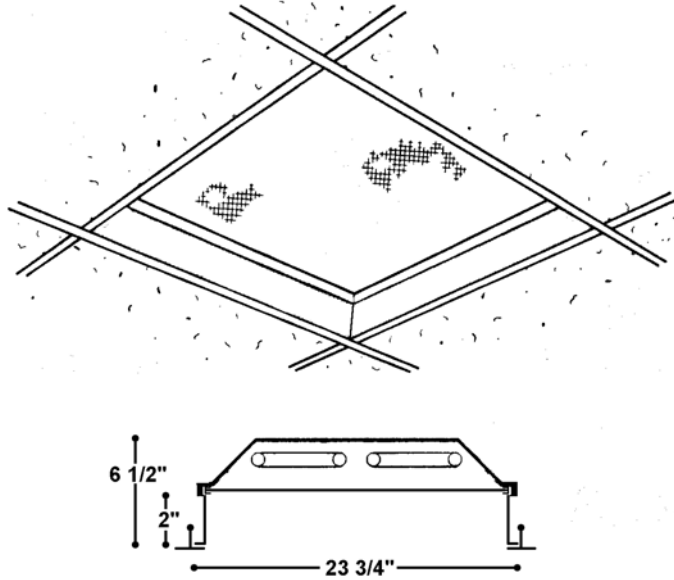


**“SKYLITE” VERTICAL REGRESS COFFER**  
**“T” GRID CEILING T8 OCTRON ELECTRONIC BALLAST**  
 MEETS NYC REQUIREMENTS

**SERIES 463G**

**“PANELUX”**



<b>PROJECT:</b>
<b>FIXTURE TYPE:</b>
<b>CATALOG NO.:</b>
<b>VOLTS:</b>
<b>BALLAST TYPE:</b>
<b>DATE:</b>

**APPLICATIONS:** Recessed fluorescent luminaire with framed diffuser for lay-in installation in “T” grid ceiling systems. Matte white acrylic diffuser creates a “Skylite” effect and is held within a hinged steel frame. Cam latch release opens frame for servicing. Positive action, no springs. Retaining hook hinge will not permit the frame to disengage accidentally when open. No visible hardware. Refined appearance combined with optimum performance make this the ideal troffer for lobbies, conference rooms, and hallways.

**SPECIFICATIONS:**

**HOUSING:** Rigid die-formed from code gauge steel. Steel part are chemically cleaned and phosphatized ensuring maximum paint adhesion. Finished in white polyester powder coating for reflectance of 90%.

**TRIM:** Regressed trim is constructed of 20 gauge CRS, corners are electrically welded to insure true and perfect alignment. Trim is mechanically fastened to the housing and standard regressed is 2”. Other regressions available.

**SHIELDING:** .130 Minimum flat smooth matte white glass-fiber-reinforced acrylic is held within a flat steel hinged door frame. Retaining hook hinge will not permit the frame to disengage when open. Other diffuser options are available. (CONSULT FACTORY)

**BALLAST:** Fully electronic T8 HPF thermally protected class “P” 120v & 277v <20% THD ballasts are standard. Ballasts of other THD, voltages, and frequencies are also available (CONSULT FACTORY).

**CERTIFICATION:** U.L. listed and I.B.E.W.Union made.

**ORDERING INFORMATION**

CATALOG #	LAMPS	BALLAST	SIZE
463G22232U6	2-32W T8U6	T8 ELECTRONIC	2 X 2

**OPTIONAL:** ELECTRONIC DIMMING BALLAST (ADD SUFFIX DIM)  
 EMERGENCY BATTERY BACKUP (ADD SUFFIX EML)  
 SAFETY CHAIN DOOR FRAME TO HOUSING (ADD SUFFIX “SC”)